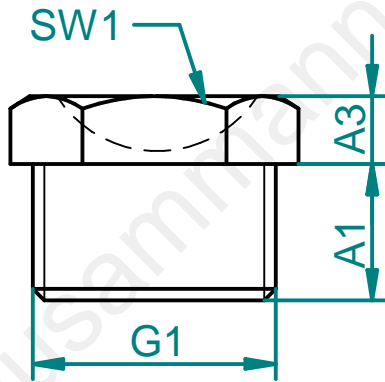



General tolerances ISO 2768-m						Index	Date	Visum	Modification	Index	Date	Visum	Modification
Basic-size	...6	> 6 ...30	> 30 ...120	>120 ...400	> 400 ...1000								
medium	±0.1	±0.2	±0.3	±0.5	±0.8								



Specifications points D,K,H	
D= doc.points	
K= critical	
H= main	

		Material:			
		Stahl verzinkt			
		Scale			
				Date	Phone
		plotted		27.06.11	E.Z
		checked			
				Format	Index
		04.027		Solid Edge	00
				A4	
<small>Accord-draw.no.:</small> <small>Origin-draw.no.:</small> <small>Replacement for:</small>		<small>© 2010, Für dieses Dokument behalten wir uns alle Rechte vor.</small>		<small>© 2 010, Nous nous reservons tous les droits sur ce document</small>	
				<small>© 2 010, We reserve all rights in connection with this document</small>	